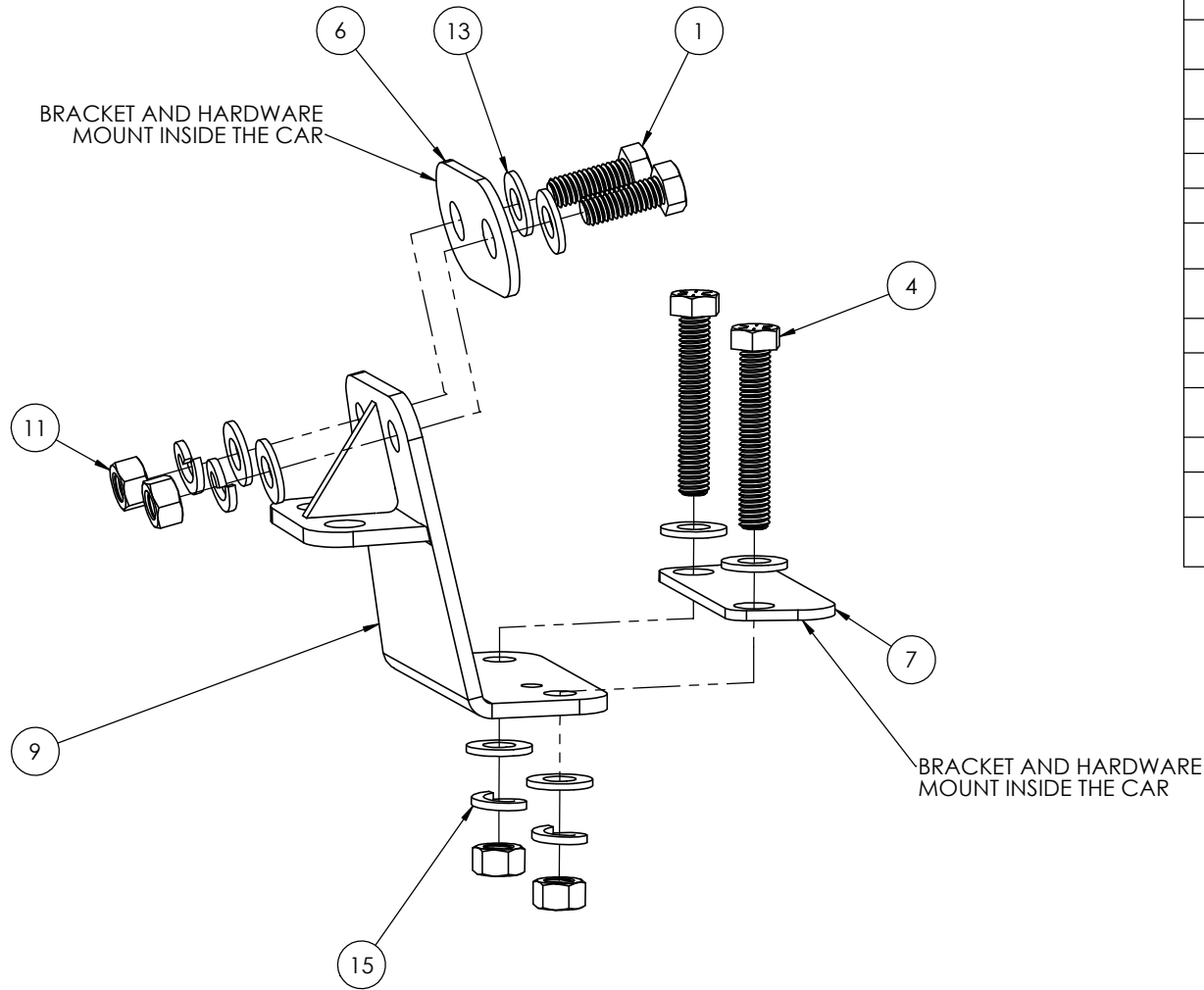


4

3

2

1

BRACKET AND HARDWARE
MOUNT INSIDE THE CARBRACKET AND HARDWARE
MOUNT INSIDE THE CAR

ITEM NO.	DESCRIPTION	QTY.
1	3/8" - 16 x 1" Bolt Zinc Coated	4
2	7/16-14 X 1 Hex Head Cap Screw Grade 8 Zinc Yellow	4
3	3/8"-16 x 3.0" Partially Threaded Hex Head Bolt, Zinc Plated	1
4	3/8"-16 x 2.25" Fully Threaded Hex Head Bolt, Zinc Plated	4
5	FRS/86/BRZ CROSSMEMBER	1
6	CM26 PIECE 8	2
7	CM26 PIECE 9	2
8	CM26 Weldment Left ; Brackets 4, 6, 7	1
9	CM26 Weldment Right ; Brackets 4, 6, 7	1
10	7/16-14 Nylon Lock Nut- Grade 8	4
11	3/8 - 16 Steel Hex Nut, Zinc Plated	9
12	3/8 id x 2long trans mount bushing 1.75 OD tube 1.375 ID	1
13	3/8" x 0.812" OD Flat Washer	18
14	7/16 Flat Washer Cadmium Plated Steel	8
15	3/8" Zinc Finish Medium Split Lock Washer	8

PROJECT:

TITLE:

T56 Trans Crossmember
BRZ FRS

SIKKY
MANUFACTURING
WWW.SIKKY.COM

PROPRIETARY AND CONFIDENTIAL
THE INFORMATION CONTAINED IN THIS
DRAWING IS THE SOLE PROPERTY OF
SIKKY MANUFACTURING. ANY
REPRODUCTION IN PART OR AS A WHOLE
WITHOUT THE WRITTEN PERMISSION OF
SIKKY MANUFACTURING IS
PROHIBITED.

4

3

2

1

B

A